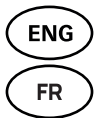




HIVE Wood

13 kW 17 kW 17 kW LS



SAUNA STOVE

3-11

POÊLE DE SAUNA

13-21



info@huumsauna.com

www.huumsauna.com



HIVE Wood

SAUNA STOVE

Installation and user instructions

Important! These instructions provide simultaneously the installation instructions for models 13kW, 17kW and 17kW LS. Follow the instructions for your model carefully.

Important! We recommend a specialist to lay the stones on the heater.

Important! The sauna stove described in these instructions should only be connected to the chimney by a specialist.

The HIVE Wood sauna stove delivery package includes:


- a sauna stove
- installation and user instructions for the sauna stove

Important! The sauna stove requires sauna stones.

| Technical specifications of the sauna stove | HIVE Wood 13 | HIVE Wood 17 |
|--|--|---|
| Steam room size range | 212-459 ft ³ 6-13 m ³ | 283-565 ft ³ 8-16 m ³ |
| Nominal heating power (kW) | 13 | 17 |
| Steel frame diameter | 17.7 in 450 mm | 21.9 in 555 mm |
| Depth + extension of the combustion chamber LS | 18.9 in 480 mm | 24.4 in / 620 mm + 6.1 in / 155 mm LS |
| Height | 29.6 in 750 mm | 29.6 in 750 mm |
| Empty weight | 100 lb 45 kg | 155 lb 70 kg |
| Weight of stones | 199 lb 90 kg | 287 lb 130 kg |
| Thickness of furnace walls | 0.2 in 5 mm | 0.2 in 5 mm |
| Maximum length of fireWood | 11.8 in 30 cm | 15.7 in 40 cm |
| Diameter of fireWood | 3.1-5.9 in 8-15 cm | 3.1-5.9 in 8-15 cm |
| Diameter of smoke outlet | 4.53 in 115 mm | 4.53 in 115 mm |
| Required temperature class of chimney | T600 | T600 |
| Minimum cross section of chimney | 15.81 in ² 10200 mm ² | 15.81 in ² 10200 mm ² |
| Minimum cross section of vents | 12.17 in ² 7850 mm ² | 12.17 in ² 7850 mm ² |
| Heating power in steam room (kW) | 13 | 17,4 |
| Fuel | Wood | Wood |
| Safety distances from combustible materials | Table 1 | Table 1 |
| Fire safety (ignition of nearby objects) | Passed | Passed |
| Exhaust gases of the combustion process | Passed | Passed |
| Surface temperature | Passed | Passed |
| Emission of hazardous compounds | NPD | NPD |
| Cleanability | Passed | Passed |
| Flue gas temperature | 806°F 430°C | 829.4°F 443°C |

| | | |
|--|---------------------------------------|---------------------------------------|
| Mechanical resistance | Passed | Passed |
| Carbon monoxide emissions at 13% of O2 content (%) | Passed (0,67) | Passed (0,67) |
| Total efficiency (%) | 67 | 66 |
| Minimum required chimney draught (Pa) | 12 | 12 |
| Wood weight/ in three parts up to | 19 / 8.8 lb 8,6 / 4 kg | 23,4 / 8.8 lb 10,6 / 4 kg |
| Ash tray opening during ignition / after ignition | 0.4 / 0.08- 0.12 in 10 / 2-3 mm | 0.4 / 0.08- 0.12 in 10 / 2-3 mm |

* NPD – No permanent data

| | | |
|--|---|---|
| Application area | Multi-firing sauna stoves heated by natural Wood logs |  |
| Meets requirement | EN 15821:2010 | |
| HUUM Sauna OÜ Vahi tee 9, Tartumaa, 60534, Estonia | | |

Congratulations, you've made an excellent choice!

The HUUM sauna stove is the best of its kind and will serve you for a very long time with the correct use and maintenance.

- Read the instructions carefully before installation and use.
- Keep these instructions for future reference.

Important! Read the instructions carefully before using the sauna heater!

GENERAL

The Wood HIVE sauna stove is intended for dry or wet sauna steam.

Our product range includes various modifications for the HIVE Wood sauna stoves. Consumers can choose between stoves with different nominal power. The stove can be equipped with a hot water production accessory and a wall furnace aperture, which is marked with letters **LS** in these instructions.

INSTALLATION

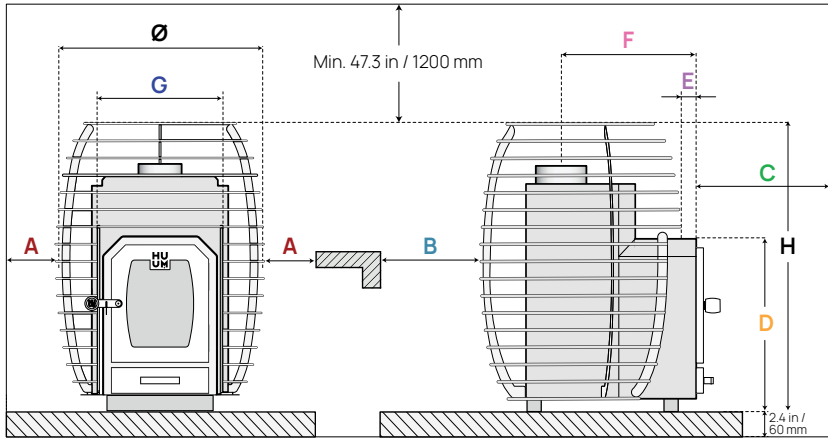
- **NB! Burn outside before installation!**

The outer casing of the heater has been treated with a heatresistant paint, which achieves its final protection after the first heating. Care must be taken when handling metal parts until the heater has been heated to avoid scratching. As the paint emits an unpleasant odour during the first heating, we recommend that you heat the heater outdoors, if possible, for the first time before installing the heater in the steam room. For better draft, attach a handy piece of flue to the heater's smoke outlet during the first heating.

- Installation of the sauna stove must conform to all local normative documents, including the applicable national and European Union standards relating to the installation, including EN 15821:2010.
- Safety distances **A**, **B** and 47.3 in/1200 mm above the stove are given for combustible materials.
- If the stove is installed in a niche composed of non-combustible material (stone, concrete), at least 4 in/100 mm should be left between the wall and the stove for air movement.
- The safety distance for combustible materials can be reduced to 1/2

in the case of a single and 1/4 in the case of a double heat barrier.
 The heat barrier is considered within the safety distance, and the difference between the outer surface and the protected area must be at least 1.2 in/30 mm.

- The sauna stove must be installed on a non-combustible surface with the required carrying capacity.
- Electrical equipment and wiring are not permitted in the safety area of the sauna stove.



| Table 1 | Power | Room | A | B | C | D | E | F | G | Ø | H |
|--------------|-------|--|-----------------|-----------------|------------------|------------------|--|--|-----------------|------------------|-----------------|
| HIVE Wood 13 | 13 kW | 212-459 ft ³ 6-13 m ³ | 7.48in 190mm | 9.8in 250mm | 35.5in 900mm | 16.73in 425mm | 0.2in 5mm | 11.8 in 300 mm | 9.4in 240mm | 17.7in 450mm | 29.5in 750mm |
| HIVE Wood 17 | 17 kW | 283-565ft ³ 8-16 m ³ | 19.7in 500mm | 19.7in 500mm | 39.4in 1000mm | 18.1in 460mm | 14 in 7.3 in ^{LS} 35 mm 185 mm ^{LS} | 15.75 in 15.55 in ^{LS} 400 mm 395 mm ^{LS} | 11.8in 300mm | 21.85in 555mm | 29.5in 750mm |

Installing HIVE Wood 17 LS to be heated from another room

- The furnace bushing of the sauna stove must be made through a non-combustible wall (stone, concrete, etc.).
- In addition, insulation with mineral wool or similar is recommended.
- At least 0.4 in/10 mm must be left between the bushing and the stove to facilitate the movement of air, so 0.8 in/20 mm must be added to height **D** and width **G** in Table 1 when calculating the dimensions of the opening.
- If the floor in front of the furnace is made from combustible material, fire-resistant floor protection must be installed in front of the furnace door. The protection must be 23.63 in/600 mm wider than door width **G**, with a depth of at least 15.75 in/400 mm.

Connecting the sauna stove with the chimney

- The flue gas outlet of HUUM sauna stoves is at the top of the sauna stove. The sauna stove is connected to the chimney using special metal flue pipes, which are optionally sealed with heat-resistant sealing rope.
- The elbows of the connection tubes must be smooth to keep draught loss to a minimum.
- The tube is inserted through the wall of the chimney and sealed with mineral wool.
- The sauna stove can only be connected to the chimney by specialists.
- The flue gases of the stove must be directed into a separate flue. Use of a common flue with other furnaces is not permitted.

Important! Forced extract ventilation may cause problems with the ventilation of the room and inadequate furnace combustion, therefore, designing and building such a ventilation system is permitted only with the supervision of a licensed specialist.

APPLICATION INSTRUCTION

Preparation for use

- Any natural granite stones or special sauna stove stones sold at hardware stores are suitable for the sauna stove. Use of ceramic stones may shorten the life of the stove.
- The stones must be washed clean before laying.
- Sauna stove stone quantities:
 - HIVE Wood 13: 6 x 33 lb / 6 x 15kg;
 - HIVE Wood 17: 9 x 33 lb / 9 x 15kg.

Important! The sauna stove can only be heated with Wood logs.

Heating the sauna

- Avoid overheating the sauna stove; overheating is indicated when the furnace case glows red. Overheating causes the metal to deform, and the manufacturer is not responsible for this defect.
- In the case of overheating, the ash tray must be completely closed to stop the furnace combustion process. Keep the furnace door closed. If possible, cut off air flow to the room.
- It is recommended each time you heat the sauna stove that some quantity of the fuel consists of small and easily flammable pieces of material which are more porous and lighter compared to the rest of the fuel quantity.
- The sauna stove can only be heated with Wood logs. For HIVE Wood 13 logs with a length of 11.8 in/30 cm are the best and for HIVE Wood 17 logs with a length of 15.7 in/40 cm.
- The amount of air combustion is adjusted by changing the position of the ash tray drawer. During ignition, it is advisable to keep the ash tray open by up to 0.4 in/10 mm. As the material ignites, close the ash tray to the point where the distance between the front of the tray and the wall is 0.08-0.12 in/2-3 mm, depending on the draught.
- Keep the furnace door closed during heating. Open the door only to add fireWood.
- Avoid splashing water onto the hot glass of sauna stoves with a glass door. Tempered door glass is not under warranty.
- The heating time of the steam room is dependent on the thermal

resistance of the wall materials, room size and power of the sauna stove.

- The outer surfaces of the sauna stove are hot during heating. Contact with exposed body parts can cause burns.
- Do not splash salt water onto the sauna stove.
- It is not advisable to throw hard water or water with a high iron content onto the sauna stove.

Maintenance

- For safe operation of the furnace, it is advisable to keep cleaning accessories (shovel, broom, rake) in the lower temperature (below 104°F / 40°C) part of the steam room.
- Empty the sauna stove's ash tray before each heating since this is used to adjust the draught.
- If the sauna has not been used for a long time, have a specialist check the furnace, grate and ash tray condition before heating the sauna stove. If necessary, arrange for the condition of the chimney and the flue to be checked as well. Also, if necessary, allow the specialist to undertake further cleaning.
- Large temperature fluctuations may, over time, cause the sauna stove stones to crumble and lose their required properties. It is therefore advisable to replace crumbled sauna stones with new ones once a year.
- Clean the heating surfaces of the sauna stove regularly, at least once every 20 uses.
- At least once a year, it is necessary to clean the chimney and flues.
- Cleaning of the sauna stove must comply with all local normative documents which provide fire safety regulations for the cleaning of furnaces.

WARRANTY

Buyer is obligated to read user manual and follow instructions and requirements presented. Damage to the product caused by not following instructions and requirements will void warranty.

If any defects are found on the product, where manufacturer can be blamed, then buyer has the right to demand fixing or replacing the product. Demands must be made not later than 5 years after buying the product. Purchase receipt needs to be presented when warranty demands are made.

Warranty terms:

- Warranty applies only to heaters that have been used according to the manual.
- The warranty applies to malfunctions caused by manufacturing faults. This warranty does not cover the combined effect of high temperature and water on the sauna stove:
 - deformation of metal;
 - surface coating;
 - door glass.
- Warranty does not cover wear that occurs from natural usage.
- Warranty does not cover defects or wear caused by planned use.
- Warranty does not imply when:
 - damage or defects are caused by transportation or other actions not controlled by manufacturer.
 - product has been damaged by carelessness or overload
 - product has not been installed correctly
 - product has been modified in any way
 - warranty period is over
 - product is not complete

Find the latest updates on our website www.huumsauna.com

HIVE Wood

POÊLE DE SAUNA

Instructions d'installation et d'utilisation

Important ! Ces instructions servent de guide commun pour l'installation des modèles 13kW, 17kW et 17kW LS. Suivez attentivement les instructions de votre modèle.

Important ! Il est recommandé de confier la pose des pierres sur le réceptacle à un spécialiste.

Important ! Seul un professionnel est autorisé à raccorder à une cheminée le poêle de sauna décrit dans ces instructions.

Le kit de livraison du poêle de sauna HIVE Wood contient :

- un poêle de sauna
- des instructions d'installation et d'utilisation pour le poêle de sauna

Important ! Le poêle de sauna doit être utilisé avec des pierres de sauna.

| Spécifications techniques du poêle de sauna | HIVE Wood 13 | HIVE Wood 17 |
|---|--|---|
| Volume de la pièce du sauna | 212-459 ft ³ 6-13 m ³ | 283-565 ft ³ 8-16 m ³ |
| Puissance calorifique nominale (kW) | 13 | 17 |
| Diamètre du cadre en acier | 17.7 in 450 mm | 21.9 in 555 mm |
| Profondeur + extension de la chambre de combustion LS | 18.9 in 480 mm | 24.4 in / 620 mm + 6.1 in / 155 mm LS |
| Hauteur | 29.6 in 750 mm | 29.6 in 750 mm |
| Poids à vide | 100 lb 45 kg | 155 lb 70 kg |
| Poids des pierres | 199 lb 90 kg | 287 lb 130 kg |
| Épaisseur des parois du foyer | 0.2 in 5 mm | 0.2 in 5 mm |
| Longueur maximum du bois de chauffage | 11.8 in 30 cm | 15.7 in 40 cm |
| Diamètre du bois de chauffage | 3.1-5.9 in 8-15 cm | 3.1-5.9 in 8-15 cm |
| Diamètre de l'évacuation de fumée | 4.53 in 115 mm | 4.53 in 115 mm |
| Classe de température requise pour la cheminée | T600 | T600 |
| Section minimale du conduit de cheminée | 15.81 in ² 10200 mm ² | 15.81 in ² 10200 mm ² |
| Section minimale des ouvertures de ventilation | 12.17 in ² 7850 mm ² | 12.17 in ² 7850 mm ² |
| Puissance calorifique dans la pièce du sauna (kW) | 13 | 17,4 |
| Combustible | Bois | Bois |
| Distance de sécurité aux matériaux combustibles | Tableau 1 | Tableau 1 |
| Sécurité incendie (inflammation d'objets se trouvant à proximité) | Admis | Admis |
| Gaz d'échappement provenant du processus de combustion | Admis | Admis |
| Température de surface | Admis | Admis |
| Émission de composés dangereux | NPD | NPD |
| Facilité de nettoyage | Admis | Admis |
| Température des gaz de combustion | 806°F 430°C | 829.4°F 443°C |

| | | |
|--|---------------------------------------|---------------------------------------|
| Résistance mécanique | Admis | Admis |
| Émissions de monoxyde de carbone à 13 % d'O2 (%) | Admis (0,67) | Admis (0,67) |
| Rendement total (%) | 67 | 66 |
| Minimum requis pour le tirage de la cheminée (Pa) | 12 | 12 |
| Poids du bois/ en trois éléments à la fois jusqu'à | 19 / 8.8 lb 8,6 / 4 kg | 23,4 / 8.8 lb 10,6 / 4 kg |
| Ouverture du bac à cendres pendant l'allumage / après l'allumage | 0.4 / 0.08- 0.12 in 10 / 2-3 mm | 0.4 / 0.08- 0.12 in 10 / 2-3 mm |

*NPD – Aucune performance déterminée

| | |
|--|--|
| Champ d'application | Poêles de sauna à foyer mixte alimentés en bois massif |
| Conforme aux normes | EN 15821:2010 |
| HUUM Sauna OÜ Vahi tee 9, Tartumaa, 60534, Estonie | |



Félicitations! Vous avez fait un excellent choix.

Le poêle de sauna HUUM est le meilleur de sa catégorie et vous servira pendant très longtemps à condition de l'utiliser et de l'entretenir correctement.

- Lisez attentivement les présentes instructions avant de l'installer ou de l'utiliser.
- Conservez les instructions pour pouvoir vous y reporter ultérieurement.

Important ! Lisez attentivement les présentes instructions avant d'utiliser le poêle de sauna !

GÉNÉRALITÉS

Le poêle de sauna Wood HIVE est conçu aussi bien pour sauna sec que pour sauna humide.

Notre gamme de produits est déclinée en diverses variantes de poêles de sauna HIVE Wood. Les consommateurs peuvent choisir entre des poêles de puissance nominale différente. Le poêle peut être équipé d'un appareil de production d'eau chaude et d'un raccord mural pour foyer, ce qui est indiqué par les lettres **LS** dans les présentes instructions.

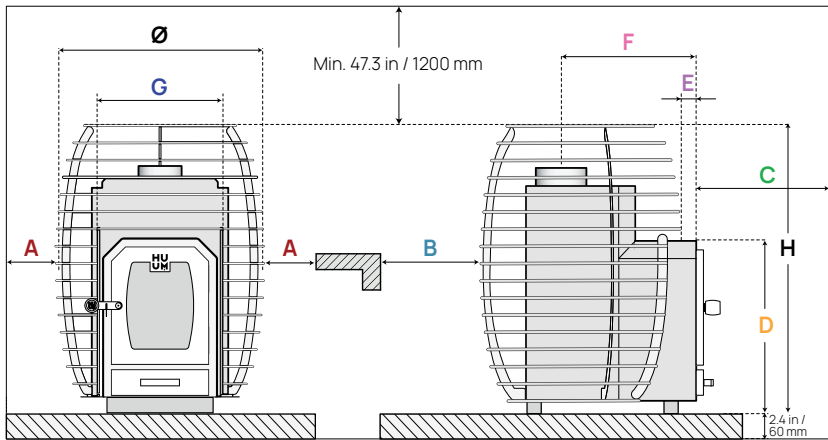
INSTALLATION

- **ATTENTION ! Avant le montage définitif veuillez chauffer à l'extérieur !**

L'enveloppe extérieure du poêle de sauna est revêtue d'une peinture résistante à la chaleur, qui durcit définitivement après le premier chauffage. Avant le chauffage veuillez manipuler les éléments métalliques avec précaution pour ne pas les érafler. Vu que pendant le premier chauffage la peinture dégage une odeur désagréable, nous recommandons de chauffer la première fois à l'extérieur avant d'installer le poêle dans la salle de sauna. Dans ce cas, fixez à la sortie de fumée une cheminée de fortune pour assurer un meilleur tirage.

- Toutes les réglementations locales, y compris celles se référant aux normes nationales et européennes, notamment la norme EN 15821:2010, doivent être respectées lors de l'installation du poêle.
- Les distances de sécurité **A**, **B** et 47,3 in/1200 mm au-dessus du poêle sont indiquées par rapport aux matériaux combustibles.

- Si le poêle est installé dans une alcôve fabriquée en matériau non combustible (pierre, béton), un écart minimum de 4 in/100 mm doit être respecté entre le mur et le poêle pour permettre à l'air de circuler.
- La distance de sécurité aux matériaux combustibles peut être réduite de moitié en utilisant un simple isolant thermique et à un quart en utilisant un double isolant thermique. L'isolant thermique est compris dans la zone de sécurité et un écart minimum de 1,2 in/30 mm doit séparer sa surface externe de la zone à protéger.
- Le poêle doit être installé sur une surface non combustible présentant une capacité portante suffisante.
- Aucun appareil électrique ou câble ne doit se trouver dans le périmètre de sécurité du poêle.



| Tableau 1 | Puis-sance | Pièce | A | B | C | D | E | F | G | Ø | H |
|--------------|------------|-------------------------|--------|--------|--------|---------|--------------------------------|------------------------------------|--------|---------|--------|
| HIVE Wood 13 | 13 kW | 212-459 ft ³ | 7.48in | 9.8in | 35.5in | 16.73in | 0.2in | 11.8 in | 9.4in | 17.7in | 29.5in |
| | | 6-13 m ³ | 190mm | 250mm | 900mm | 425mm | 5mm | 300 mm | 240mm | 450mm | 750mm |
| HIVE Wood 17 | 17 kW | 283-565ft ³ | 19.7in | 19.7in | 39.4in | 18.1in | 1.4 in 7.3 in ^{LS} | 15.75 in 15.55 in ^{LS} | 11.8in | 21.85in | 29.5in |
| | | 8-16 m ³ | 500mm | 500mm | 1000mm | 460mm | 35 mm 185 mm ^{LS} | 400 mm 395 mm ^{LS} | 300mm | 555mm | 750mm |

Installation du HIVE Wood 17 LS pour être chauffé depuis une autre pièce

- Le raccord du foyer du poêle doit passer à travers un mur non combustible (pierre, béton, etc.).
- Il est également recommandé d'utiliser un isolant en laine minérale ou similaire.
- Un écart d'au moins 0.4 in/10 mm doit être laissé entre le raccord et le poêle pour permettre à l'air de circuler, ce qui signifie qu'il faut ajouter 0.8 in/20 mm à la hauteur **D** et à la largeur **G** indiquées sur le tableau 1 pour calculer les dimensions de l'ouverture.
- Si le sol devant le poêle est en matériau combustible, une protection de sol anti-feu doit être installée devant la porte du poêle. Cette protection doit être de 23.63 in/600 mm plus large que la porte **G**, et avoir une profondeur d'au moins 15.75 in/400 mm.

Raccordement du poêle de sauna au conduit de cheminée

- Les poêles de sauna HUUM disposent sur leur partie supérieure d'une ouverture pour l'évacuation des gaz de combustion. Le poêle est raccordé au conduit de cheminée par des tuyaux métalliques spéciaux qui sont, le cas échéant, scellés avec des joints résistants à la chaleur.
- Les coudes de raccordement doivent avoir un faible rayon de courbure pour limiter au maximum les pertes de tirage.
- Le tuyau doit être inséré à travers le mur de la cheminée et colmaté avec de la laine minérale.
- Seul un professionnel peut raccorder le poêle de sauna au conduit de cheminée.
- Les gaz de combustion du poêle doivent être dirigés dans un conduit séparé. Il est interdit de raccorder ce même conduit de fumée à d'autres foyers.

Important ! La ventilation mécanique par aspiration étant susceptible de perturber le renouvellement de l'air dans la pièce et entraîner une mauvaise combustion du foyer, un tel système de ventilation ne peut être conçu et réalisé que sous la responsabilité d'un professionnel agréé.

INSTRUCTIONS D'UTILISATION

Préparation à l'utilisation

- Toutes les pierres naturelles en granit ou les pierres spécifiques pour poêles de sauna en vente dans le commerce sont adaptées au présent poêle. L'utilisation de pierres en céramique peut réduire sa longévité.
- Nous recommandons de laver les pierres avant d'en remplir le réceptacle.
- Quantités de pierres pour poêle de sauna :
 - HIVE Wood 13 : 6 x 33 lb / 6 x 15 kg;
 - HIVE Wood 17 : 9 x 33 lb / 9 x 15kg.

Important! Le poêle ne peut être chauffé qu'avec des bûches de bois.

Chauffage du sauna

- Évitez de chauffer le poêle de manière excessive jusqu'à ce que le corps du foyer devienne rougeoyant. La surchauffe entraîne la déformation du métal et le fabricant ne saurait être tenu responsable de la défectuosité du poêle.
- En cas de surchauffe, le bac à cendres doit être complètement fermé pour arrêter le processus de combustion dans le foyer. Maintenez la porte du foyer fermée et coupez, si possible, l'arrivée d'air dans la pièce.
- Il est recommandé d'utiliser au début de chaque mise en route du poêle une quantité de combustible composée de petits morceaux de matériaux facilement inflammables, et de ce fait, moins dense et plus légère que le reste de la quantité de combustible.
- Le poêle ne peut être chauffé qu'avec des bûches de bois. Celles de 11.8 in/30 cm de long conviennent le mieux au HIVE Wood 13 et celles de 15.7 in/40 cm au HIVE Wood 17.
- La quantité d'air de combustion est ajustée en changeant la position du bac à cendres. Pendant l'allumage, il est conseillé de garder le bac à cendres ouvert jusqu'à 0.4 in/10 mm. Une fois que le matériau s'enflamme, placez le bac à cendres de telle sorte que la distance entre l'avant du bac et le mur soit de 0.08-0.12 in/2-3 mm, en fonction du tirage.

- Maintenez la porte du foyer fermée pendant le chauffage. N'ouvrez la porte que pour ajouter du bois de chauffage.
- Évitez de projeter de l'eau sur le verre chaud des poêles qui ont une porte vitrée. Le vitrage trempé de la porte n'est pas sous garantie.
- Le temps de chauffage du sauna dépend de la résistance thermique des matériaux des murs, de la taille de la pièce et de la puissance du poêle.
- Les surfaces externes du poêle sont chaudes pendant le chauffage. Le contact avec des parties du corps dénudées peut causer des brûlures.
- Ne jetez pas d'eau salée sur le poêle.
- Il est déconseillé de jeter de l'eau dure ou trop riche en fer sur le poêle.

Entretien du poêle

- Il est recommandé de conserver les accessoires de cheminée (pelle, balai, tisonnier) destinés à l'entretien du foyer dans la zone la moins chaude du sauna (moins de 104°F/40°C) afin d'utiliser le poêle en toute sécurité.
- Le bac à cendres doit être vidé avant chaque chauffage du poêle, car il sert à régler le tirage du poêle.
- La mise en route du poêle après une longue période d'inutilisation du sauna nécessite au préalable une vérification de l'état du foyer, de la grille et du bac à cendres. Cela implique également un contrôle de l'état de la cheminée et des conduits, voire, si nécessaire, leur nettoyage approfondi par un professionnel.
- Les grandes variations de température peuvent, au fil du temps, provoquer l'effritement des pierres du poêle au point de leur faire perdre leurs propriétés essentielles. Il est donc conseillé de remplacer chaque année les pierres du poêle qui sont détériorées par des pierres neuves.
- Nettoyez régulièrement les surfaces de chauffe du foyer, au moins une fois toutes les 20 utilisations.
- Le nettoyage de la cheminée et des conduits s'impose au moins une fois par an.
- Toutes les réglementations locales anti-incendie applicables au nettoyage des appareils de chauffage doivent être respectées lors du nettoyage du poêle.

GARANTIE

L'acheteur est tenu de lire le manuel d'utilisation et de suivre les instructions qui y sont indiquées. Les dommages causés au produit par le non-respect des instructions annulent la garantie du fabricant.

Si le produit présente des défauts qui peuvent être imputés au fabricant, l'acheteur a le droit d'en exiger la réparation ou le remplacement. Les réclamations doivent être faites au plus tard dans les 5 ans suivant l'achat du produit. La garantie est valable sur présentation de la facture ou du reçu d'achat.

Conditions de garantie :

- La garantie ne s'applique qu'aux poêles qui ont été utilisés conformément aux instructions.
- La garantie s'applique aux dysfonctionnements dus à des défauts de fabrication. Cette garantie ne couvre pas les dommages résultant de l'effet combiné de la température élevée et de l'eau sur le poêle de sauna en ce qui concerne :
 - la déformation du métal ;
 - le revêtement des surfaces ;
 - la vitre de la porte.
- NB ! La garantie ne couvre pas les éléments chauffants. Ils sont considérés comme des pièces consommables.
- La garantie ne couvre pas l'usure due à une utilisation normale du produit.
- La garantie ne couvre pas l'usure ou les défauts causés par une mauvaise utilisation du produit.
- La garantie ne s'applique pas lorsque :
 - la défectuosité est due au transport ou à une autre cause étrangère au fabricant ;
 - l'endommagement du produit résulte d'une négligence ou d'une surcharge ;
 - le produit a mal été installé ;
 - le produit a été modifié de quelque manière que ce soit ;
 - la période de garantie a expiré ;
 - le produit est incomplet.

Vous trouverez sur notre site web toutes les informations dont vous avez besoin www.huumsauna.com

NOTES

REMARQUES

NOTES
REMARQUES

HUUM

 OF SAUNA



info@huumsauna.com



www.huumsauna.com